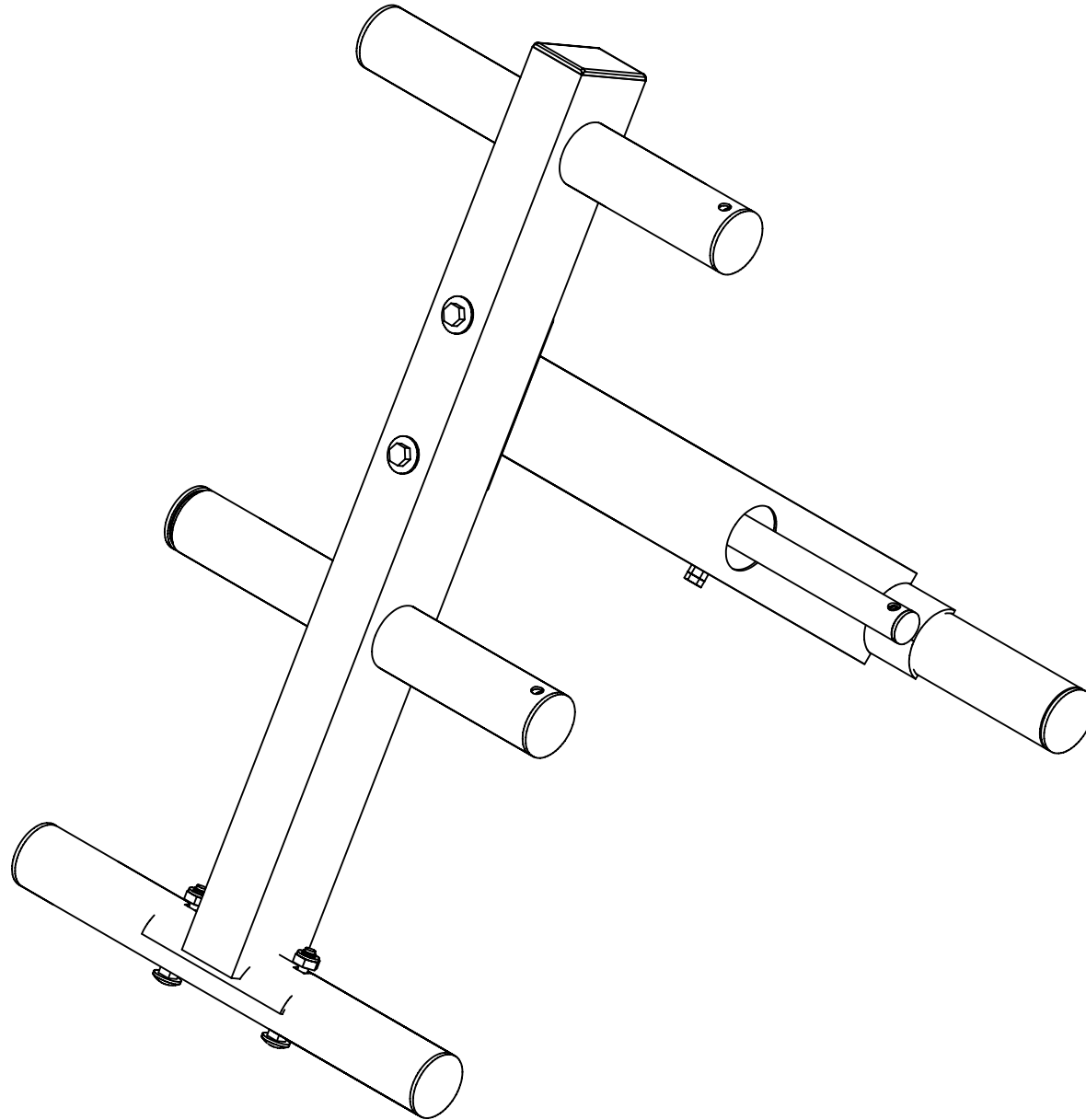


OWT-24



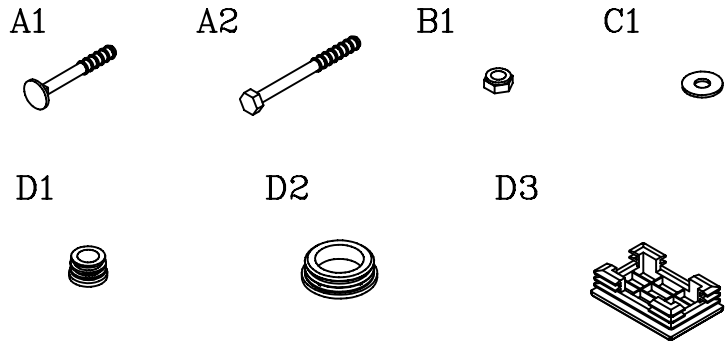
VERSION 0105

# OWT-24

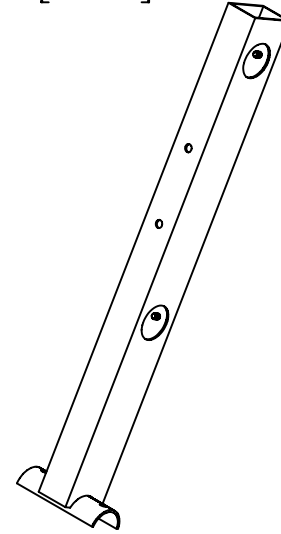
## HARDWARE ILLUSTRATION SHEET

## PARTS ILLUSTRATION SHEET

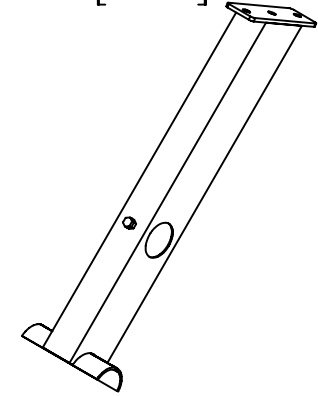
	Qty.
A1. M10X65L CARRIAGE BOLT -----	[4PCS]
A2. M10X90L HEX HEAD BOLT -----	[2PCS]
B1. M10 NYLON LOCK NUT -----	[6PCS]
C1. M10 (I.D) WASHER -----	[2PCS]
D1. $\phi$ 1" ROUND END CAP (9211-016) -----	[2PCS]
D2. $\phi$ 50 ROUND END CAP (9211-020) -----	[8PCS]
D3. 50X75 END CAP (9211-012) -----	[1PCS]



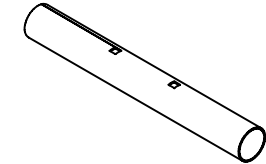
A [1PCS]



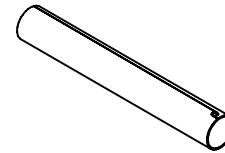
B [1PCS]



C [2PCS]



D [2PCS]



E [1PCS]

